



Ring Terminal
T&B Catalog Number:

RC10-8
 78621080434
 Active

UPC Number:
Status:
Description:

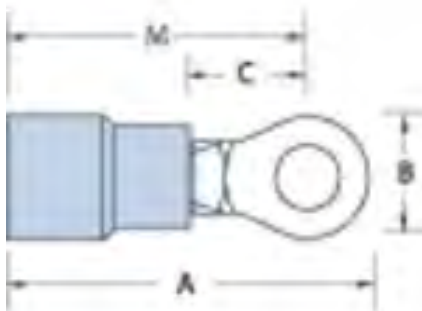
Nylon Insulated Ring Terminal, Length 1.00 Inches, Width .37 Inches, Maximum Insulation .210, Bolt Hole #8, Wire Range #12-#10 AWG, Color Yellow, Copper, Tin Plated

WEB_USE

US Cutsheet PDF Catalog Link <http://www-public.tnb.com/contractor/docs/stakon.pdf>

Features

Self-insulated with high dielectric-strength nylon sleeves. An inner bronze insulation grip sleeve lengthens the flexing radius of the conductor and eliminates conductor creep.



General

Insulation Type	Insulated Nylon
Terminal Series	RC
Material	Copper
Finish	Electro -Tin Plated
Color	Yellow
Wire Range	12-10
Stud Size	#8

Dimension Information

Maximum Insulation (inches)	.210
Stock Thickness	.04
A (inches)	1.00
B (inches)	.37
C (inches)	.27
M (inches)	.81

Specifications

Temperature Rating	105°C
Voltage Rating	600V
Flammability Rating	UL 94 V-2

Tooling

Tool Charts	Available on Website
Application Tools	WT2000, WT112M, WT145C, ERG4001, ERG4003, WT145A
Recommended Tool	ERG4001

Packaging

T&B Order Multiple	50
T&B Inner Pack	50
Package in Units	250
Package Type	Standard
T&B Sold in UOM	Each
T&B Weight Per UOM	4.38 lbs. per 1000
Alternate Package Qty	RC863

Application Support

T&B Sales Drawings	wsd-000269
Overview	Available on Website
Wire Guide Tables	Available on Website

Certifications

RoHS Compliance	Yes
-----------------	-----

Certifications



File Nbr:
E9809

For further technical assistance, please contact us...

Thomas & Betts - USA
8155 T&B Blvd.
Memphis, TN 38125
www.tnb.com

T&B Technical Support
MS 3B-50
8155 T&B Blvd.
Memphis, TN 38125

Hours: 7AM - 6PM CDT
Monday-Friday
Phone: (888) 862-3289
Fax: (901) 252-1321
Email:techsupport@tnb.com